

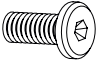
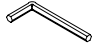
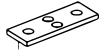

Kona Coffee Table

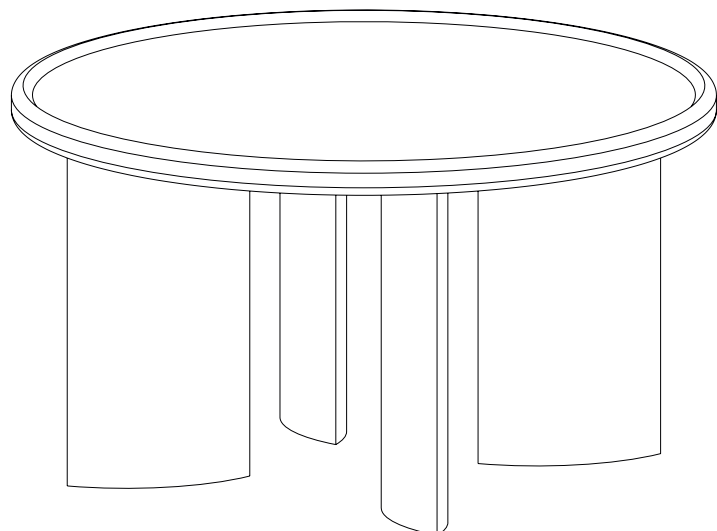
ASSEMBLY INSTRUCTIONS

ASSEMBLY INSTRUCTIONS: BEFORE BEGINNING

Read these instructions carefully and keep for future reference. Refer to parts inventory for guidance, and ensure you have all pieces before starting. When assembling, place all parts on a soft, clean, and flat surface such as a carpet to prevent scratches.

1. Carefully unpack and position the item on a clean, non-marring surface to assemble.
2. Read these Assembly Instructions from beginning to end before starting to assemble.
3. Take an inventory of the required parts to ensure all are available.
4. To prevent accidental choking hazards, keep all packing materials away from small children.
5. Only tighten hardware until ALL hardware are fully engaged on their locations. Over-tighten bolts will damage the bolt threads.
6. Use only factory provided hardware to assemble. Unapproved hardware can damage product or jeopardize the structural integrity of the product.
7. The use of power tool to assemble is not recommended due to high risk of over-torque, which can damage the product.

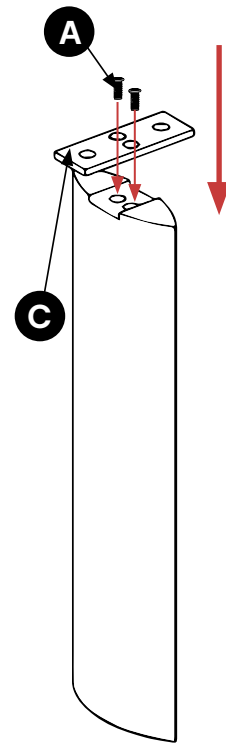
HARDWARE INVENTORY				
ID	IMAGE	DESCRIPTION	SIZE	QTY
A		ALLEN BOLT	16 x 8mm	16
B		ALLEN WRENCH	5 mm	1
C		METAL PLATE		4
D		WASHER	16 x 8mm	8



JOON LOLOI

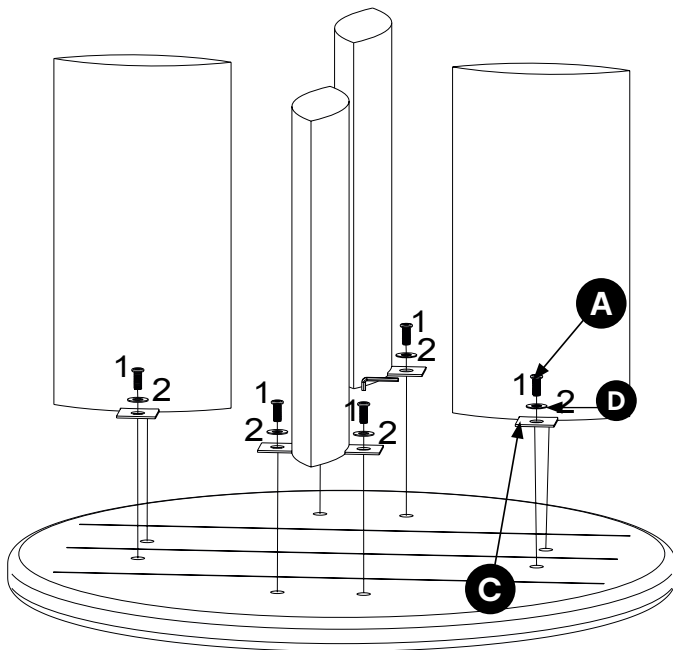
STEP 1

Use two ALLEN BOLTS (A) to attach one METAL PLATE (C) per leg in the rectangular groove on one end of the leg. Use the ALLEN WRENCH (B) to secure, do not over tighten.



STEP 2

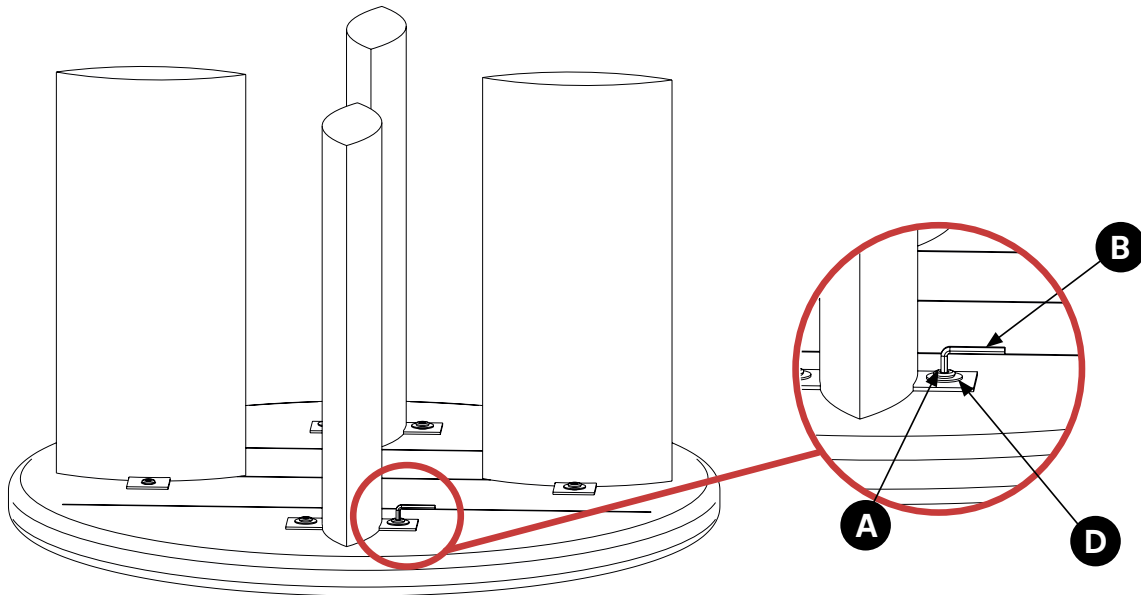
Next place the table top on a flat surface where the bottom side is exposed. Then place each leg of the table, METAL PLATE (C) side down matching the holes of the METAL PLATE (C) and the under side of the table as you place. Place a BOLT (A) with WASHER (D) through each hole.



JOON LOLOI

STEP 3

Use the ALLEN WRENCH (B) to screw in each BOLT (A) and WASHER (C) combo into the bottom of the table. Do not over tighten. Once all legs are attached your assembly is complete.



STEP 4

To make sure the table is level, you can adjust the feet on the bottom of the legs by rotating them higher or lower.

